

S477 ELAPSED TIME METER

This version of the now obsolete Sangamo S477 ETM has been designed to provide a direct fit, form and function replacement, whilst offering an enhanced specification.

- Modern Digital Meter
- Extra Digit Giving 99999 Hours
- $\frac{1}{100}$ Hour Accuracy
- Reduced Weight – 53g
- Easy Fitting
- 440V & 115V Models
- Rear Terminal Connections
- Optional 300mm Flying Leads
- Def Stan 02-636 Compliant
- Shock Tested
- IP55 Protection



The S477 is the approved ETM for use in all surface ship and submarine starters for the British Royal Navy. It is specified for all Standard Starters as listed in BR4540(601), BR4540(602) and BR4540(604) as well as many other applications.

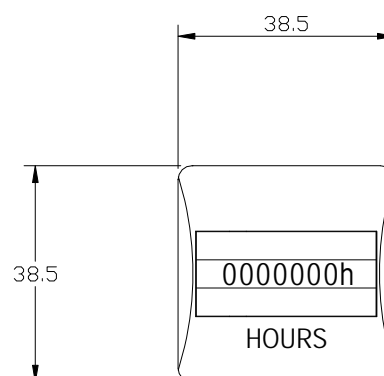
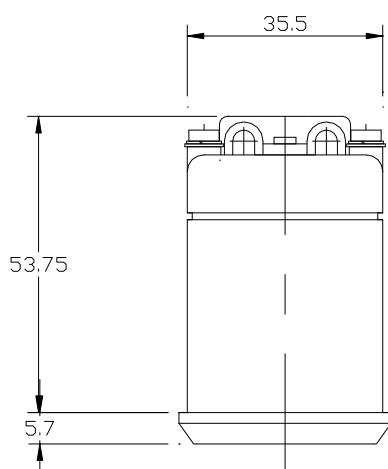
Ordering Information

Volts	Frequency	NSN	Order Code	Notes
440V	50/60Hz	6645-99-789-3757	S47744060	
440V	50/60Hz	6645-99-520-7169	S47744060/A	300mm Flying Leads
240V	50/60Hz	6645-99-119-6854	S44724060	
115V	50/60Hz	6645-99-522-8248	S47711560	
115V	50/60Hz	6645-99-519-8922	S47711560/A	300mm Flying Leads
24V	DC		S47724DC	

Dimensions & Fitting

Meter supplied with gasket and spring retaining clip.

Recommended Panel Cut Out : 35.8mm² Panel Depth : 1mm – 16mm



Whippendell Marine