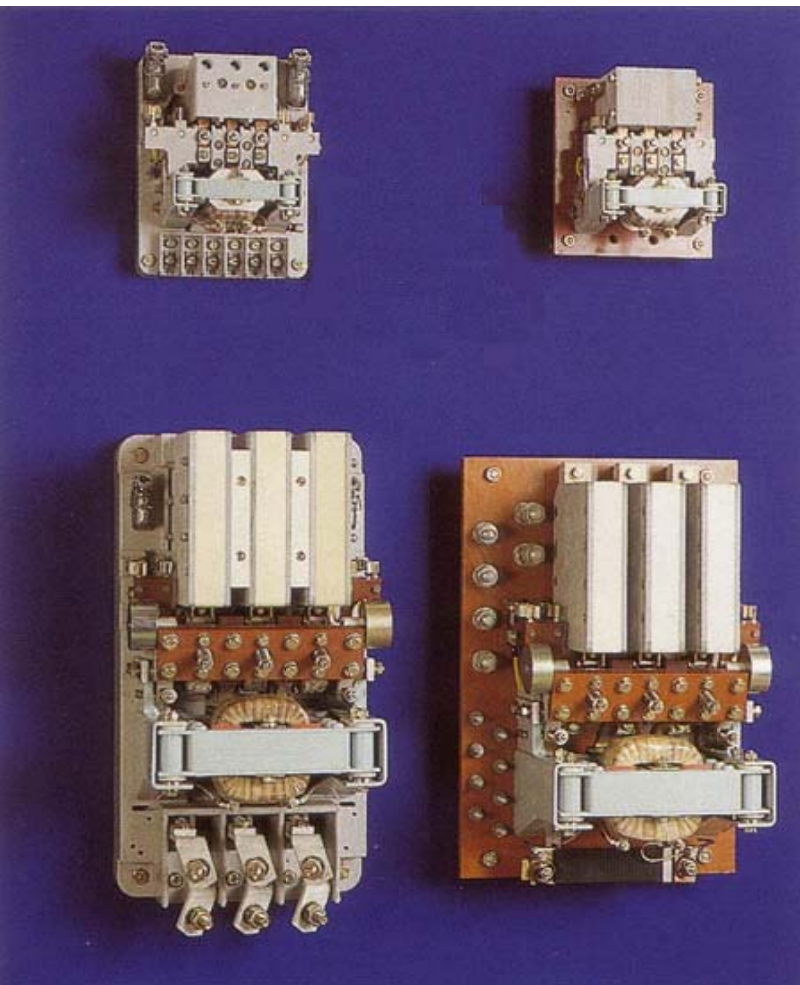


## MCA CONTACTORS



*Developed to provide the ultimate in shock resistance for critical plant on naval warships and submarines, the MCA range of contactors have a solid mounted shock rating of up to 70g*

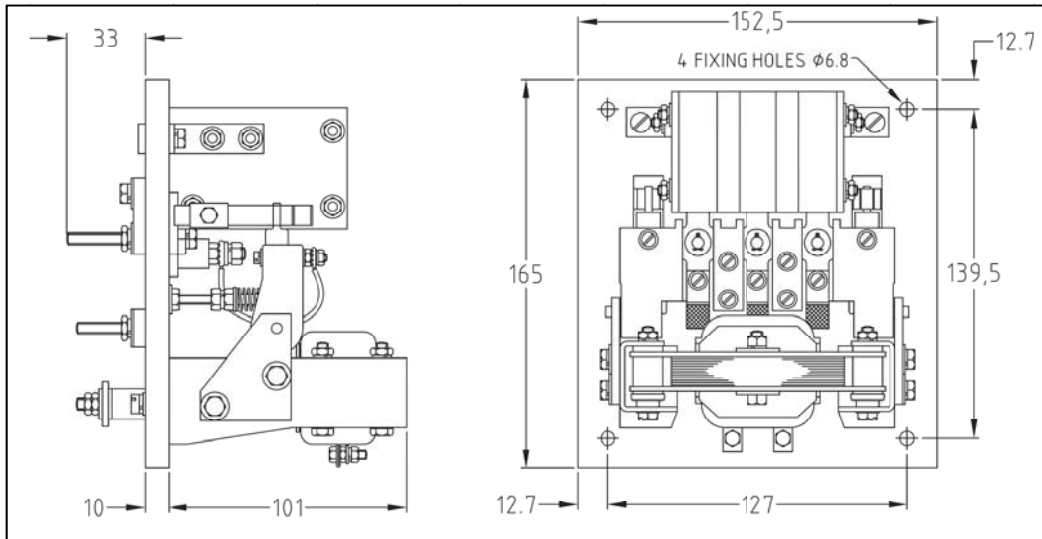
The contactors are available with standard 440V or 115V 60Hz Coils and are provided with up to four auxiliary contacts (2 on MCA2). The range is also available as mechanically interlocked pairs. Other coil voltages are available on request.

For Ordering Codes and NATO Stock Numbers please contact the Watford Sales Office.

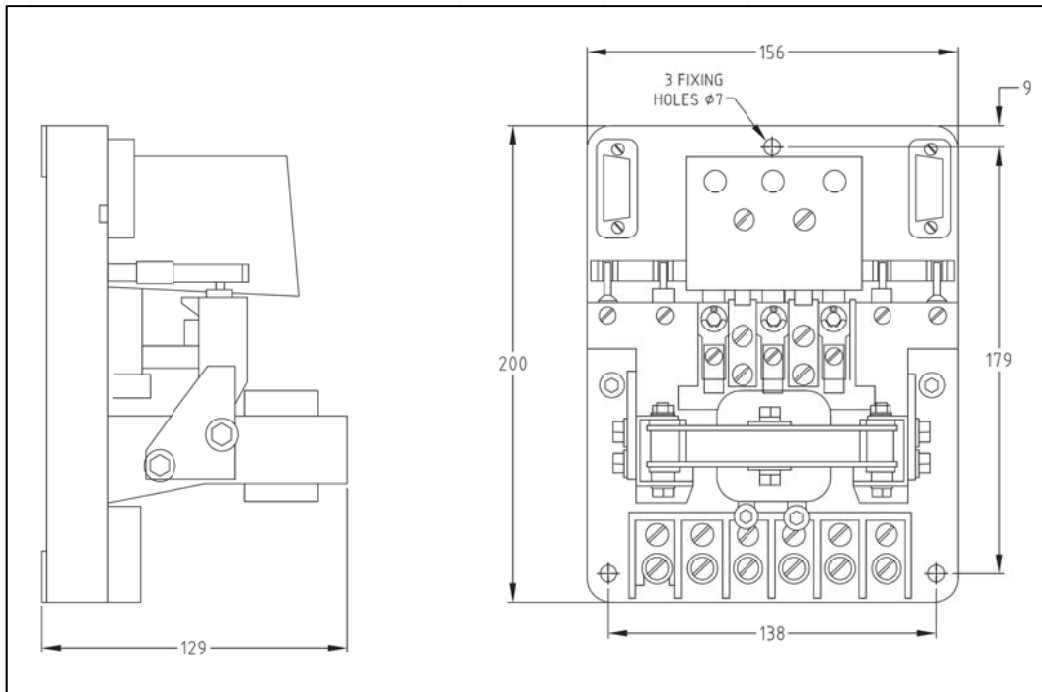
### **Technical Information**

<b>TYPE</b>	<b>MCA2</b>	<b>MCA3</b>	<b>MCA5</b>	<b>MCA13</b>	<b>MCA20</b>	<b>MCA25</b>
<b>Connection</b>	Back	Front	Front or Rear	Back	Back	Front
<b>Thermal Rating I<sub>TH</sub> (A)</b>	15	25	50	125	200	250
<b>DOL Motor Starting (kW)(@ 440V 60Hz)</b>	9	13.4	30	75	119	150
<b>Making / Breaking Capacity (A)(@ 0.3 pf)</b>	120	300	600	1500	2400	2400
<b>Operating Coil Consumption- Pull In (VA)</b>	220	220	450	1450	1450	1450
<b>Operating Coil Consumption- Hold (VA)</b>	80	80	65	220	220	220
<b>Average Operating Time- Pick Up (ms)</b>	21	22	40	50	50	70
<b>Average Operating Time- Drop Off (ms)</b>	12	10	24	23	23	25
<b>Min. Operating Voltage- Pull In (% Coil Volts)</b>	73	73	75	75	75	76
<b>Min. Operating Volts- Drop Off (% Coil Volts)</b>	46	46	48	49	49	48
<b>Shock Rating (g)- Upwards Blow</b>	70	70	70	70	70	70
<b>Shock Rating (g) - Downward Blow</b>	50	50	50	50	50	50
<b>Shock Rating (g) - Horizontal Blow</b>	30	30	30	30	30	30
<b>Max Auxiliary Contacts</b>	2	4	4	4	4	4
<b>Auxiliary Contacts Rating I<sub>TH</sub> (A)(@ 440V 60Hz )</b>	5	5	5	5	5	5
<b>Contactors Weight (Kg)</b>	3	3.35	6	15.5	16	19.5
<b>Ambient Operating Temp (°C) (@ 100% Relative Humidity)</b>	50°C Max. Continuous 85°C Max. for 72 Hours in 2000 Hours					

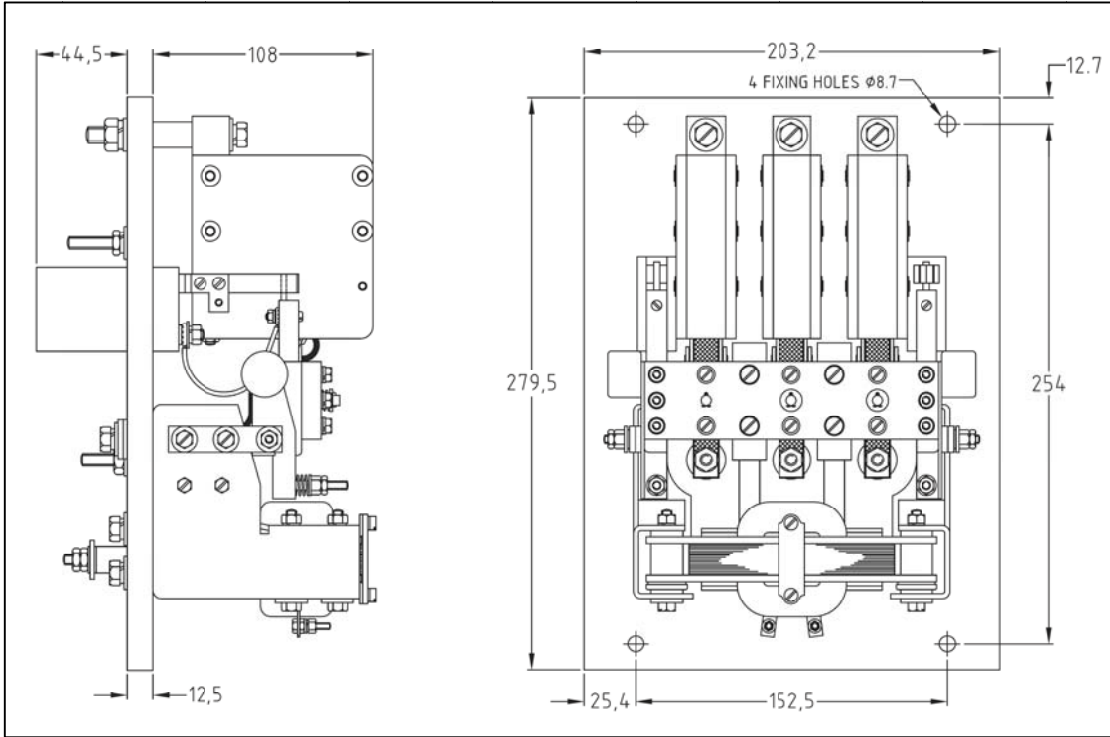
**Dimensions**



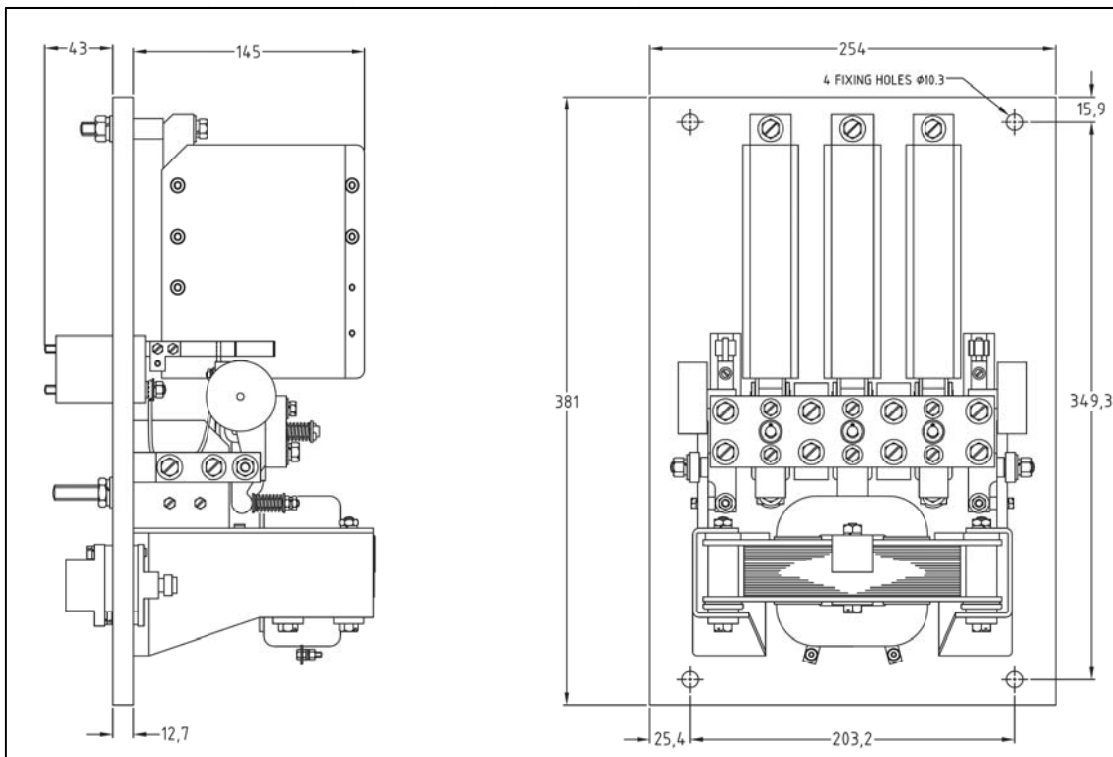
MCA 2



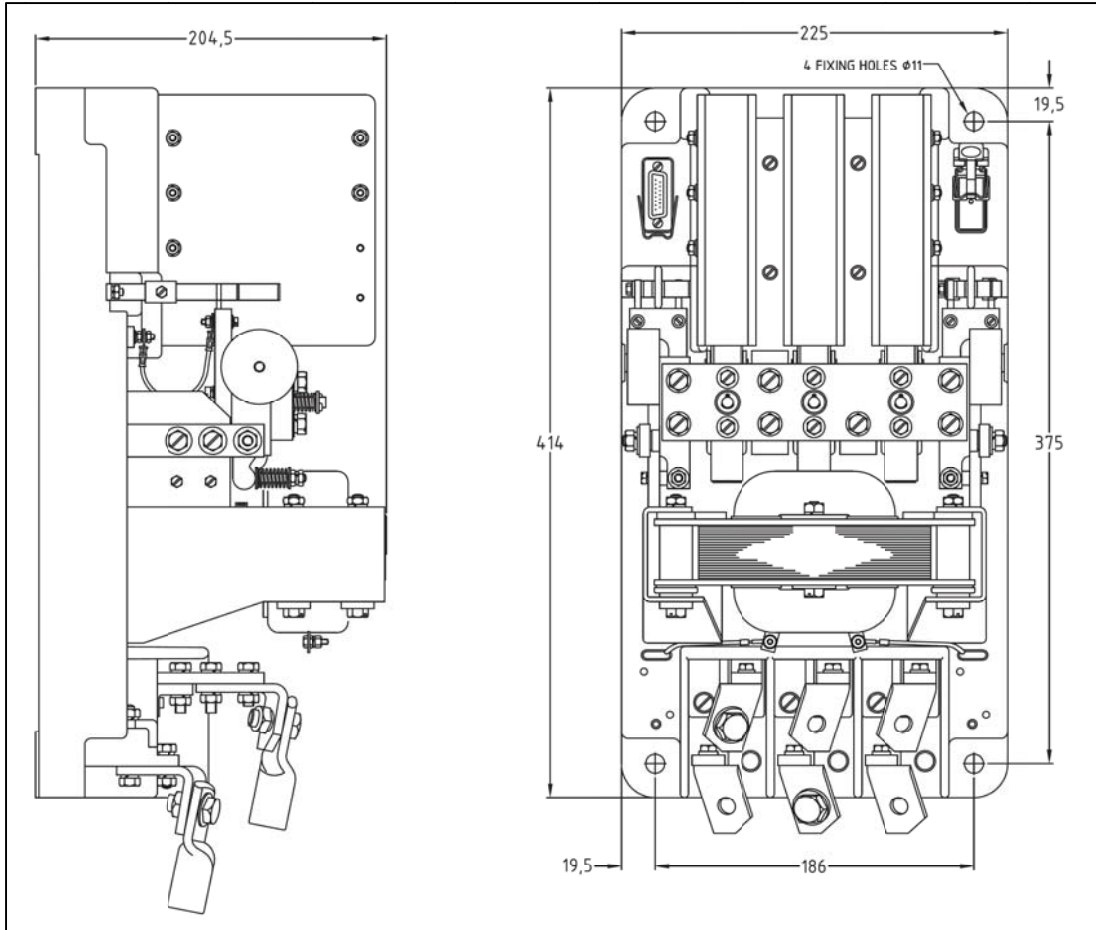
MCA3



MCA 5



MCA 13 / MCA20



MCA 25

*Established Reputation | High Performance Solutions | Unrivalled Capability | Commitment to Quality*

